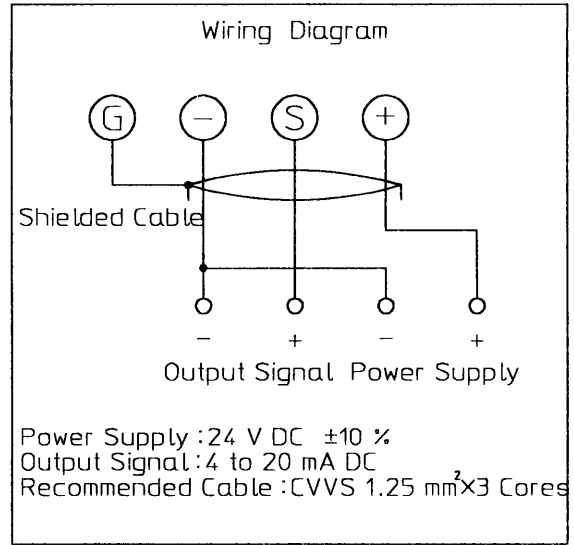
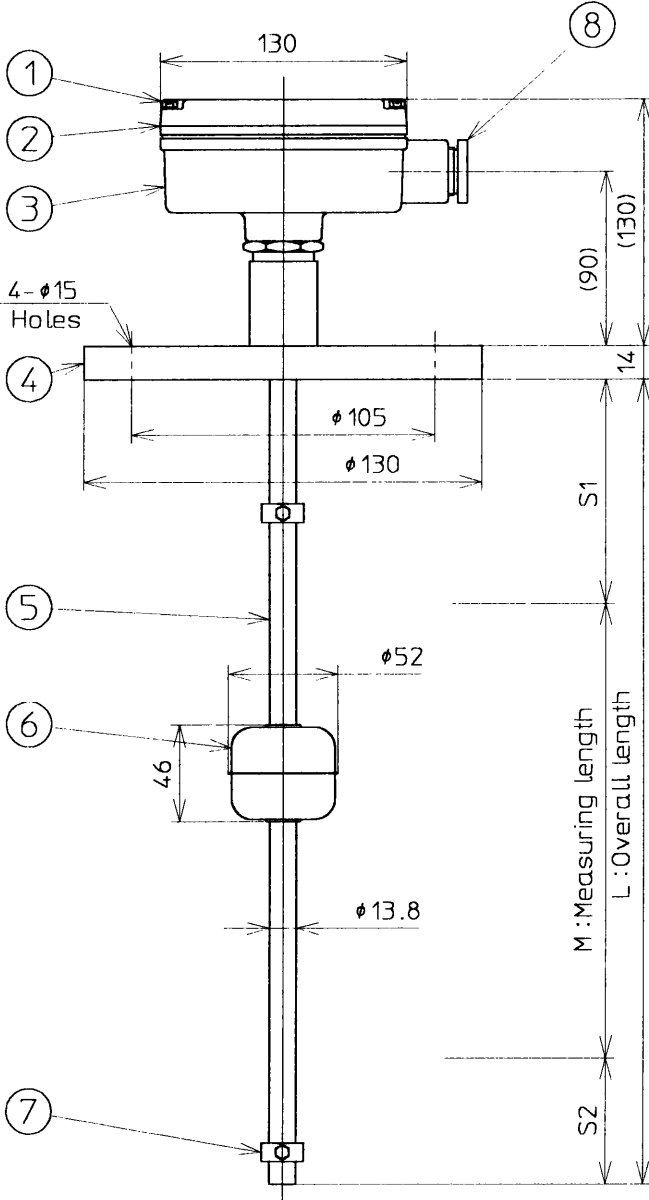
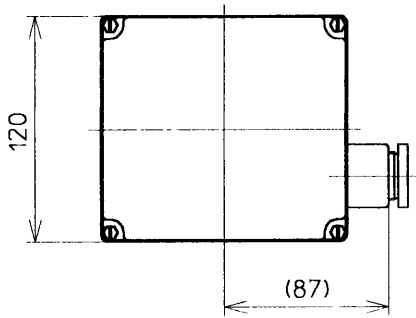


REVISIONS				
REV	DATE	DESCRIPTION	BY	APP. BY
△				
△				
△				

DRAWING NO. CA 174014



Tag No.	L	M	S1	S2	Qty.

8	Cable Gland	1	Brass (Nickel Plating)
7	Float-travel Stop	2	316 Stainless Steel
6	Float	1	316 Stainless Steel
5	Stem	1	304 Stainless Steel
4	Flange	1	304 Stainless Steel
3	Housing	1	Aluminium Diecasting
2	Cover	1	Aluminium Diecasting
1	Cover Bolt	4	Stainless Steel
P.No.	Name	Qty.	Material

Flange size : JIS 5K 50A  
 Cable inlet : JIS F 20a (G 3/4)

DATE 02-27-'96	DR. BY <i>K. Kurogi</i>	TITLE OUTLINE DRAWING OF MODEL MS MAGNETOSTRICTIVE LEVEL MEASUREMENT
SCALE N.T.S.	CH. BY <i>H. Mori</i>	
UNITS MILLIMETERS	APP. BY <i>J. Kawahita</i>	MODEL MS200S
		DRAWING NO. CA 174014

## S P E C I F I C A T I O N S

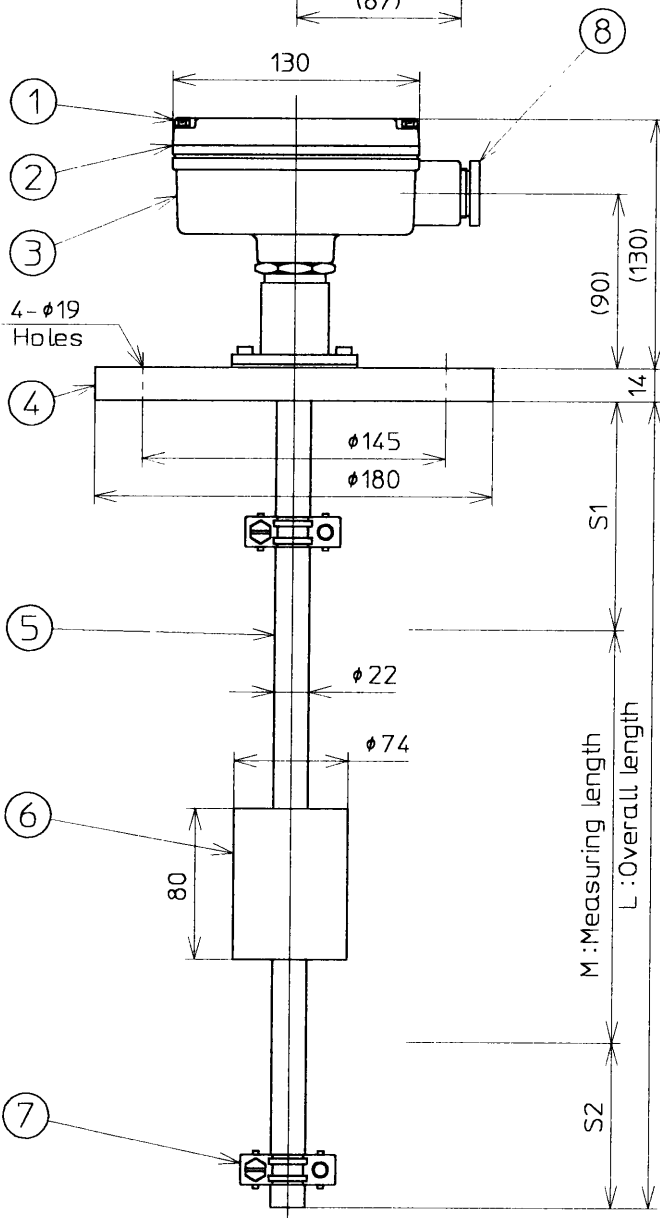
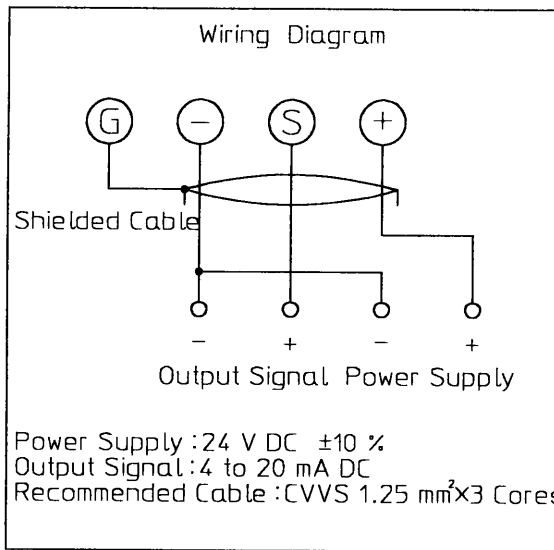
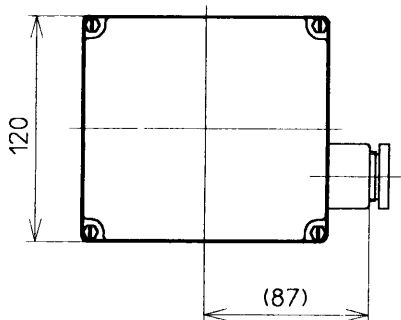
1. NAME : Magnetostrictive Level Measurement
2. MODEL : MS 2 0 0 S
3. MEASURING OBJECT : Clean Liquid
4. OPERATION CHARACTERISTICS
  - (1) Accuracy :  $\pm 1$  mm (Measuring length  $\leq 1000$  mm)  
 $\pm 0.1$  % F.S. (Measuring length  $> 1000$  mm)
  - (2) Temperature characteristics
    - (a) Wetted part :  $-0.015$  %/°C F.S.
    - (b) Amplifier part :  $-0.005$  %/°C F.S.
  - (3) Specific gravity : 0.8 or more
5. ELECTRICAL CHARACTERISTICS
  - (1) Power source : 24 V DC  $\pm 10$  %, 110 mA DC
  - (2) Output signal : 4 to 20 mA DC
  - (3) Resistive load : 750  $\Omega$  Max.
  - (4) Zero/Span adjustable range :  $\pm 3$  % F.S.
6. MECHANICAL CHARACTERISTICS
  - (1) Pressure : 500 kPa Max.
7. ENVIRONMENT
  - (1) Working temperature
    - (a) Wetted part : 80 °C Max.
    - (b) Amplifier part : 50 °C Max. (Get rid of dew)
  - (2) Working humidity : 85 % RH Max. (Amplifier part)
8. CONSTRUCTION : IP 64
9. PHYSICAL
  - (1) Materials
    - (a) Wetted parts : 304 Stainless steel
    - (b) Terminal box : Aluminium diecasting
  - (2) Mounting : Flange
  - (3) Dimensions
    - (a) Flange : JIS 5K 50A
    - (b) Float :  $\phi 52 \times H46$
    - (c) Stem : 3000 mm Max.
  - (4) Cable inlet : JIS F 20a (G 3/4)
  - (5) Mass : Approx. 4 kg (In case of the measuring length is 1000 mm.)
  - (6) Connecting cable : 3 cores shielded cable

## W A R R A N T Y

NOHKEN INC. products are warranted for a period of 1(one) year from date of original factory shipment, provided that handling, operation and maintenance of products shall be subjected to " NOHKEN's INSTRUCTION MANUAL ".

REVISIONS				
REV	DATE	DESCRIPTION	BY	APP. BY
△				
△				
△				

DRAWING NO. CA 174015



Tag No.	L	M	S1	S2	Qty.

8	Cable Gland	1	Brass (Nickel Plating)
7	Float-travel Stop	2	Polyvinyl Chloride
6	Float	1	Polyvinyl Chloride
5	Stem	1	Polyvinyl Chloride
4	Flange	1	Polyvinyl Chloride
3	Housing	1	Aluminum Diecasting
2	Cover	1	Aluminum Diecasting
1	Cover Bolt	4	Stainless Steel
P.No.	Name	Qty.	Material

Flange size : Equivalent JIS 5K 80A  
 Cable inlet : JIS F 20a (G 3/4)

DATE 02-27-'96	DR. BY <i>K. Nomura</i>	TITLE OUTLINE DRAWING OF MODEL MS MAGNETOSTRICTIVE LEVEL MEASUREMENT
SCALE N.T.S.	CH. BY <i>H. Mori</i>	
UNITS MILLIMETERS	APP. BY <i>J. Kawakita</i>	
MODEL MS200V		DRAWING NO. CA 174015

## S P E C I F I C A T I O N S

1. NAME : Magnetostrictive Level Measurement
2. MODEL : MS 2 0 0 V
3. MEASURING OBJECT : Clean Liquid
4. OPERATION CHARACTERISTICS
  - (1) Accuracy :  $\pm 2$  mm (Measuring length  $\leq 1000$  mm)  
 $\pm 0.2$  % F.S. (Measuring length  $> 1000$  mm)
  - (2) Temperature characteristics
    - (a) Wetted part :  $-0.015$  %/°C F.S.
    - (b) Amplifier part :  $-0.005$  %/°C F.S.
  - (3) Specific gravity : 0.8 or more
5. ELECTRICAL CHARACTERISTICS
  - (1) Power source : 24 V DC  $\pm 10$  %, 110 mA DC
  - (2) Output signal : 4 to 20 mA DC
  - (3) Resistive load : 750  $\Omega$  Max.
  - (4) Zero/Span adjustable range :  $\pm 3$  % F.S.
6. MECHANICAL CHARACTERISTICS
  - (1) Pressure : 200 kPa Max.
7. ENVIRONMENT
  - (1) Working temperature
    - (a) Wetted part : 50 °C Max.
    - (b) Amplifier part : 50 °C Max. (Get rid of dew)
  - (2) Working humidity : 85 % RH Max. (Amplifier part)
8. CONSTRUCTION : IP 64
9. PHYSICAL
  - (1) Materials
    - (a) Wetted parts : Polyvinyle chloride
    - (b) Terminal box : Aluminium diecasting
  - (2) Mounting : Flange
  - (3) Dimensions
    - (a) Flange : Equivalent JIS 5K 80A
    - (b) Float :  $\phi 74 \times H80$
    - (c) Stem : 3000 mm Max.
  - (4) Cable inlet : JIS F 20a (G 3/4)
  - (5) Mass : Approx. 4.5 kg (In case of the measuring length is 1000 mm.)
  - (6) Connecting cable : 3 cores shielded cable

## W A R R A N T Y

NOHKEN INC. products are warranted for a period of 1(one) year from date of original factory shipment, provided that handling, operation and maintenance of products shall be subjected to " NOHKEN's INSTRUCTION MANUAL ".