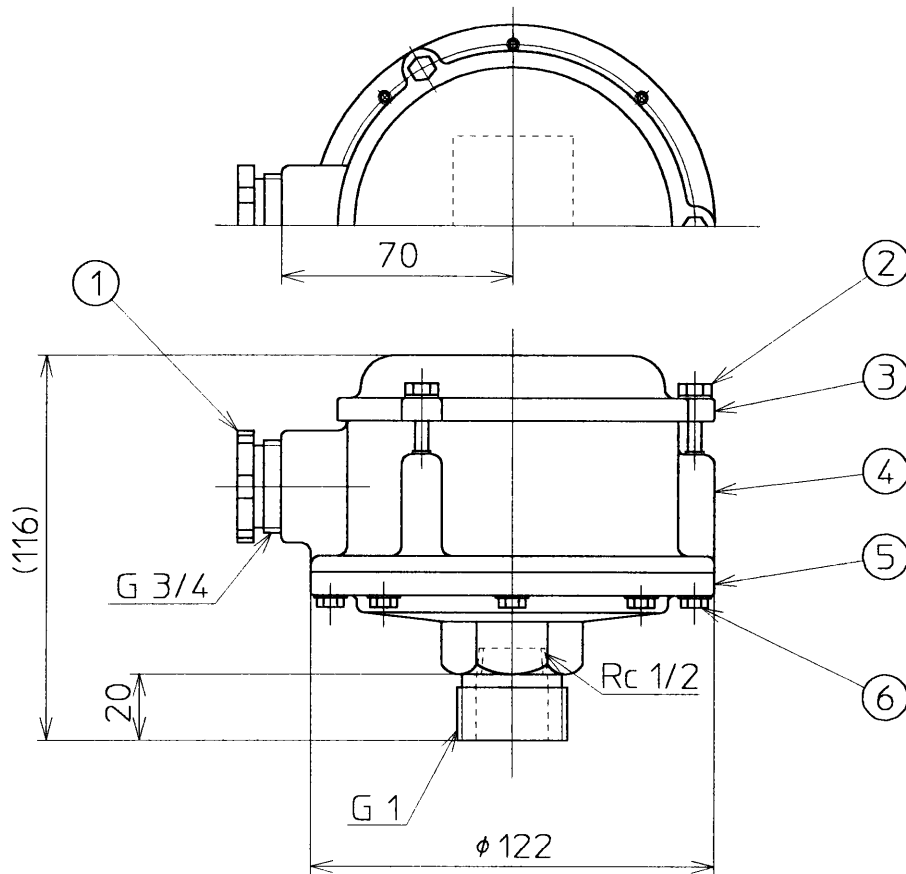


REVISIONS				
REV	DATE	DESCRIPTION	BY	APP. BY
△				
△				
△				

DRAWING NO. CA 137004

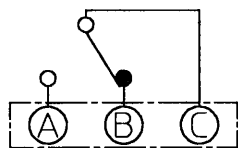


Diaphragm : CR

Cable Inlet : JIS F 20a (G 3/4)

Contact capacity	250 V 10 A AC
(Resistive load)	250 V 0.25 A DC
Operating point	80±10 mm (1/2 B l=300 Pipe)
Release point	60±15 mm (1/2 B l=300 Pipe)
Life	2×10 ⁵ Operation min

Internal Circuit



P.No.	Name	Qty.	Material
6	Bolt	8	304 Stainless steel
5	Chamber	1	Aluminium die casting (ADC 12)
4	Housing	1	Aluminium die casting (ADC 12)
3	Cover	1	Aluminium die casting (ADC 12)
2	Cover bolt	3	304 Stainless steel
1	Cable gland	1	Brass (3604BD, Nickel plating)

DATE 04-21-'95	DR. BY <i>K. Kishida</i>
SCALE N.T.S.	CH. BY <i>T. Matsuda</i>
UNITS MILLIMETERS	APP. BY <i>T. Matsuda</i>

TITLE OUTLINE DRAWING OF MODEL PNEUMATIC TYPE LEVEL SWITCH

MODEL FP-1A

DRAWING NO. CA 137004



NOHKEN INC.
OSAKA, JAPAN

S P E C I F I C A T I O N S

1. Name : PNEUMATIC TYPE LEVEL SWITCH
 2. Model : FP-1A
 3. Operation characteristics

- (1) Application : Only open tank (Max. 5 m in depth)
 (2) Working temperature : 0 ~ 70 °C
 (3) Operating point : 80 ± 10 mm (1/2B L =300 Pipe)
 (4) Release point : 60 ± 15 mm (1/2B L =300 Pipe)

4. Electrical characteristics

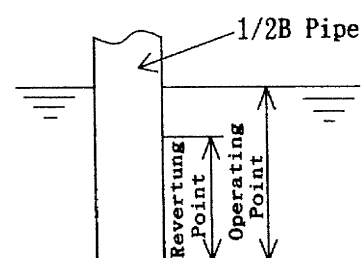
- (1) Contact capacity : 250 V 10 A AC
 (Resistive load) 250 V 0.25 A DC
 (2) Life expectancy : 2×10^5 Operation Min.

5. Mechanical characteristics

- (1) Ambient pressure of diaphragm : 0 ~ 100 kPa
 (2) Allowable impact : 100 m/s²

6. Others

- (1) Terminal box construction : IP23
 (2) Housing material : Aluminium die casting (ADC12, silver color)
 (3) Cover material : Aluminium die casting (ADC12, silver color)
 (4) Chamber material : Aluminium die casting (ADC12, silver color)
 (5) Diaphragm material : Chloroprene rubber
 (6) Cable inlet : JIS F 20a (G 3/4)
 (7) Mounting of sensor : G 1 plug
 (8) Mounting of detecting pipe : Rc 1/2 screw
 (9) Mass : Approx. 0.75 kg

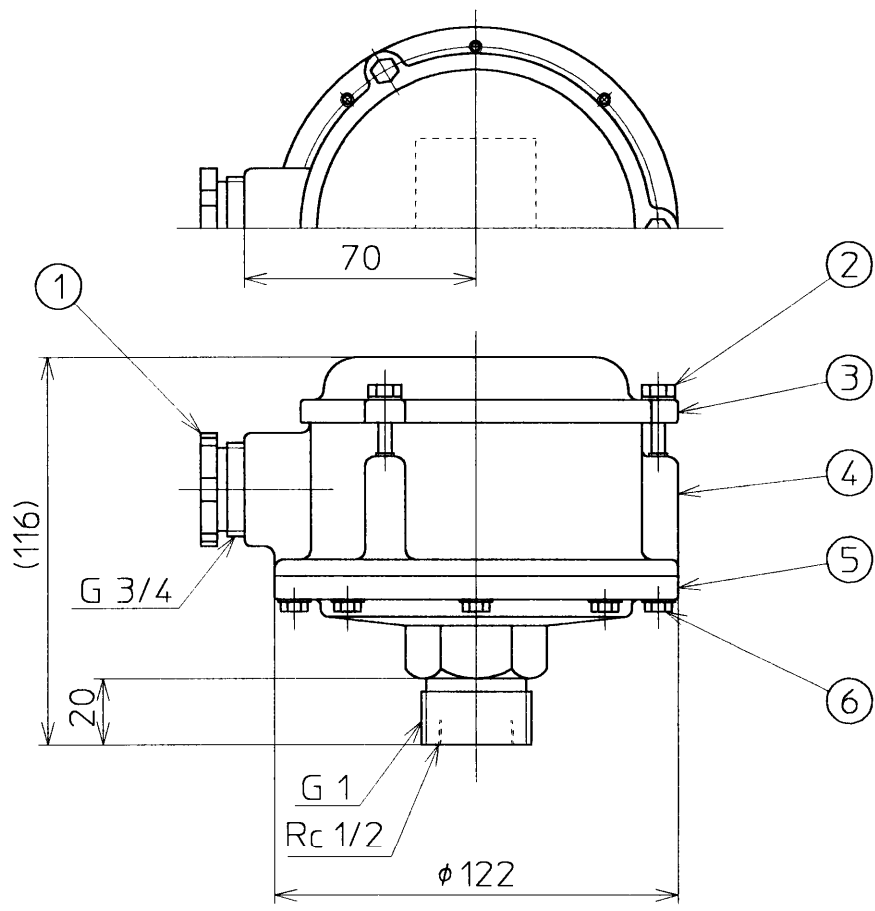


W A R R A N T Y

NOHKEN INC. products are warranted for a period of 1(one) year from date of original factory shipment, provided that handling, operation and maintenance of products shall be subjected to " NOHKEN' s INSTRUCTION MANUAL ".

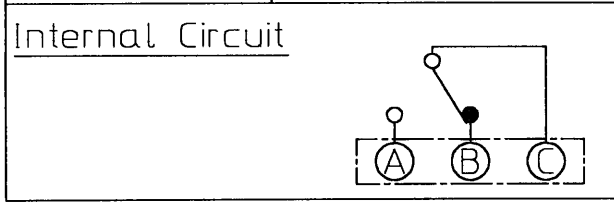
REVISIONS				
REV	DATE	DESCRIPTION	BY	APP. BY
△				
△				
△				

DRAWING NO. CA 137008



Diaphragm : Viton
 Cable Inlet : JIS F 20a (G 3/4)

Contact capacity	250 V 10 A AC
(Resistive load)	250 V 0.25 A DC
Operating point	70±10 mm (1/2 B l=300 Pipe)
Release point	50±15 mm (1/2 B l=300 Pipe)
Life	2×10 ⁵ Operation min



6	Bolt	8	304 Stainless steel
5	Chamber	1	304 Stainless steel forging
4	Housing	1	Aluminium die casting (ADC12)
3	Cover	1	Aluminium die casting (ADC12)
2	Cover bolt	3	304 Stainless steel
1	Cable gland	1	Brass (3604BD, Nickel plating)
P.No.	Name	Qty.	Material

DATE 04-21-'95	DR. BY <i>K. Kishikawa</i>
SCALE N.T.S.	CH. BY <i>[Signature]</i>
UNITS MILLIMETERS	APP. BY <i>[Signature]</i>

TITLE	OUTLINE DRAWING OF MODEL PNEUMATIC TYPE LEVEL SWITCH	
MODEL	FP-1S	
DRAWING NO.	CA 137008	

S P E C I F I C A T I O N S

1. NAME : PNEUMATIC TYPE LEVEL SWITCH

2. MODEL : FP-1S

3. MEASURING OBJECT: Clean liquid

4. OPERATION CHARACTERISTICS

4.1 Operating point : 70 ± 10 mm (1/2B L =300 Pipe)

4.2 Release point : 50 ± 15 mm (1/2B L =300 Pipe)

5. ELECTRICAL CHARACTERISTICS

5.1 Contact rating : 250 V 10 A AC

(Resistive load) 250 V 0.25 A DC

5.2 Life expectancy : 2×10^5 Operation Min.

6. MECHANICAL CHARACTERISTICS

6.1 Ambient pressure of diaphragm : 100 kPa

6.2 Allowable impact : 100 m/s^2

7. ENVIRONMENT

7.1 Application : Only open tank (Max. 5 min depth)

7.2 Working temperature : $0 \sim 70$ °C

8. CONSTRUCTION : IP23

9. PHYSICAL

9.1 Housing material : Aluminium die casting (ADC12, silver color)

9.2 Cover material : Aluminium die casting (ADC12, silver color)

9.3 Chamber material : Equivalent 304 Stainless steel (SUS 304)

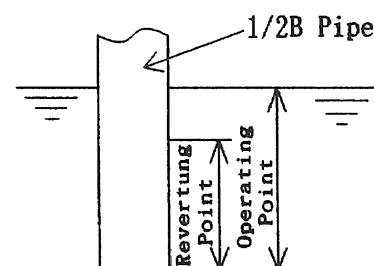
9.4 Diaphragm material : Fluororubber

9.5 Cable inlet : JIS F 20a (G 3/4)

9.6 Mounting plug : G 1 Plug

9.7 Mounting of detecting pipe : Rc 1/2 Screw

9.8 Mass : Approx. 1.45 kg



WARRANTY

NOHKEN INC. products are warranted for a period of one (1) year from date of original factory shipment, provided that handling, operation and maintenance of products shall be subjected to "NOHKEN'S INSTRUCTION MANUAL".