

LEVEL BY SOUND KNOWLEDGE®



SPECIFICATIONS:

Enclosure
UPVC

Power Supply
20-30Vdc

Dimensions
Electronics 220mm x 86mm
Transducer 82mm x 56mm
2 Inch BSP or NPT thread

Weight
1.2 Kilogram's

Temperature range
-30°C to 65°C

Temperature compensation
Yes

Output
4-20mA max impedance 750 ohms
One 5A Relay

Range
10 meters

Accuracy
+/- 0.25%

Local indication
128 x 64 Dot matrix Display

Configuration
5 touch buttons and KABScope

Blanking distance
0.3 meters

Rate of change
0,1 to 20 meters/min

Operating frequency
53 KHz

Approvals
CE compliant to EN 50081 and EBN50082

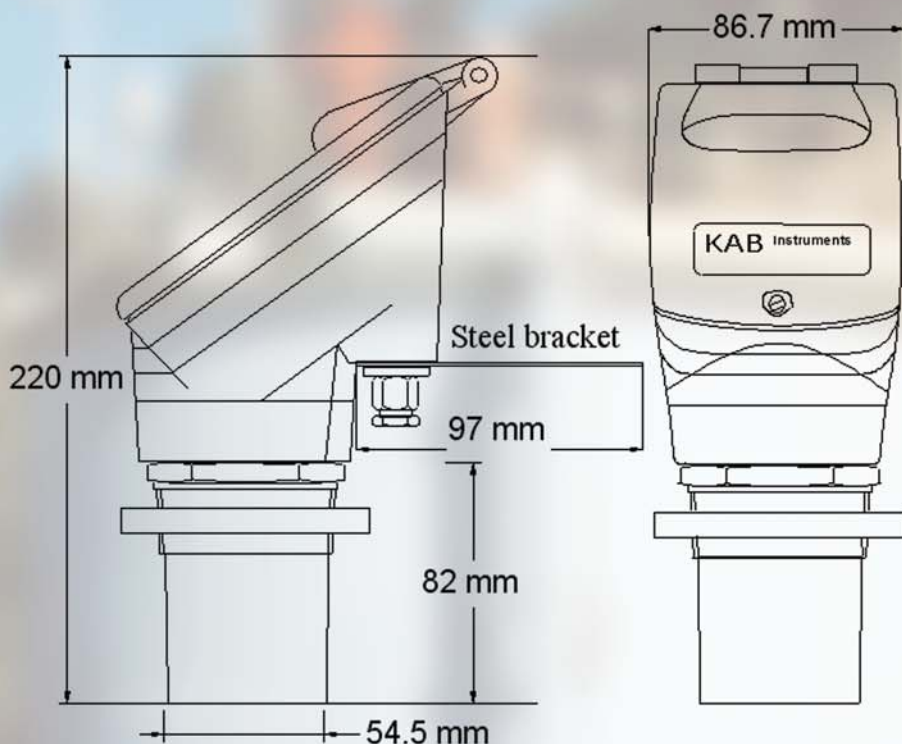
IP Rating
Transducer IP68
Electronics IP65

SHORTI XP

ULTRASONIC LEVEL TRANSMITTER

KAB INSTRUMENTS (PTY) LTD
Registration No. 982065707

DIMENSIONS



LAYOUT



LEVEL BY SOUND KNOWLEDGE®

The **SHORTI XP** is a powerful compact ultrasonic level transmitter. The **SHORTI XP** is also able to measure and totalize flow in open channels. The **SHORTI XP** measures up to a range of 10 meters. The unit has a 4-20mA output, 1 relay and integrated KABScope for monitoring and control. It can be programmed with the aid of five push buttons and a dot matrix display.

ORDERING CODE

Shorti XP 10m

PO Box 1159
Mondeor
2110
South Africa

Tel: +27 11 435 5380
Fax: +27 11 435 8726
E-mail: info@kabinstruments.com

SHORTI XP



KAB

INSTRUMENTS (PTY) LTD

Registration No. 982065707

www.kabinstruments.com