

LEVEL BY SOUND KNOWLEDGE®



SPECIFICATIONS:

Enclosure
UPVC

Power supply
20-30 Vdc

Dimensions
Electronics 220mm x 86mm
Transducer 82mm x 56mm
2 Inch BSP or NPT thread

Weight
1.2 Kilogram's

Temperature range
-30°C to 65°C

Temperature compensated
Yes

Output
4-20 mA max impedance 750 ohms

Range
4 meters

Accuracy
+/- 0.25%

Local indication
Green and Red LED

Configuration
2 Touch buttons or KABScope *Lite*

Blanking distance
0.3 meters

Rate of change
0,1 to 20 meters/min

Operating frequency
53 KHz

Approvals
CE compliant to EN 50081 and EBN50082

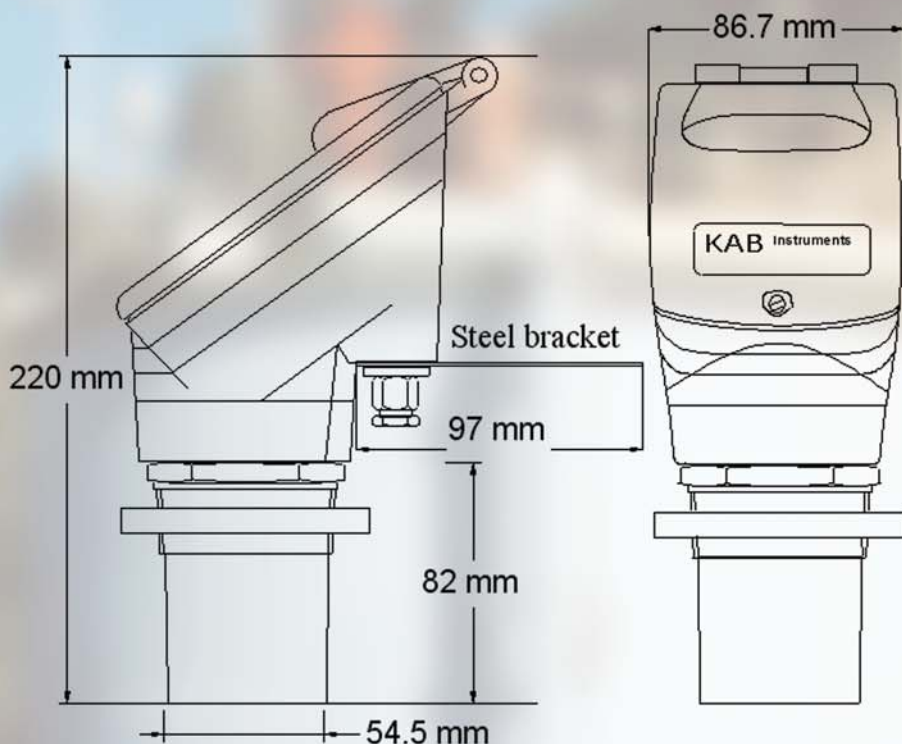
IP Rating
Transducer IP68
Electronics IP65

SHORTI *Lite*

LOOP POWERED ULTRASONIC LEVEL TRANSMITTER

KAB INSTRUMENTS (PTY) LTD
Registration No. 982065707

DIMENSIONS



LAYOUT



LEVEL BY SOUND KNOWLEDGE®

The **SHORTI Lite** is a powerful ultrasonic level transmitter. It is designed to measure level but also is capable of providing a linearised output for open channel flow. It can be programmed with the aid of two switches and LED's to measure simple level applications. More difficult applications can be set up with the **KABScope Lite** giving the customer the best of both worlds i.e. low cost level measurement and an ultrasonic level transmitter packed with features. Simply aim the transducer at a target equivalent to the empty distance and press the 4 mA button for 2 seconds until the LED flashes rapidly and then aim the transducer at a target equivalent to the full distance and press the 20mA button until the LED flashes.

ORDERING CODE

Shorti lite 4m

Optional: **KABScope Lite**

PO Box 1159
Mondeor
2110
South Africa

Tel: +27 11 435 5380
Fax: +27 11 435 8726
E-mail: info@kabinstruments.com

SHORTI *Lite*

KAB INSTRUMENTS (PTY) LTD
Registration No. 982065707

www.kabinstruments.com

