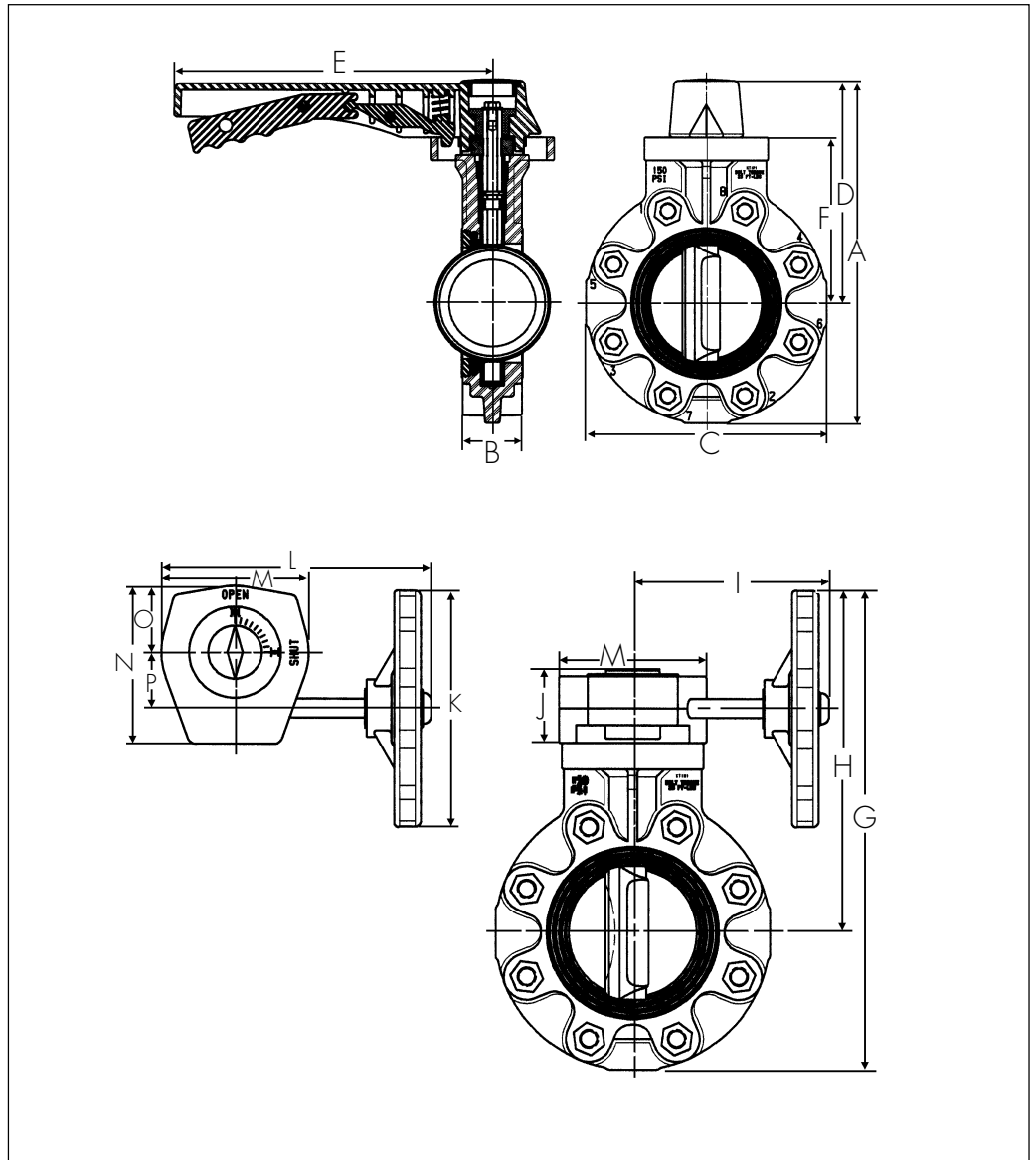


Dimensions for Type 570 Butterfly Valve



Inch size	A inch	B inch	C inch	D inch	E inch	F inch	G inch	H inch
3	11.22	2.00	7.50	7.47	12.00	5.28	14.16	10.41
4	12.69	2.25	9.00	8.19	12.00	6.00	15.63	11.13
6	16.25	2.81	11.00	10.75	14.00	8.63	19.25	13.75
8	18.50	2.94	13.50	11.75	14.00	9.63	21.50	14.75
10	N/A	3.13	16.00	N/A	N/A	11.00	26.63	18.63
12	N/A	3.38	19.00	N/A	N/A	12.00	29.13	19.63

Inch size	I inch	J inch	K inch	L inch	M inch	N inch	O inch	P inch
3	6.44	2.38	8.00	8.81	4.81	5.19	2.19	1.84
4	6.44	2.38	8.00	8.81	4.81	5.19	2.19	1.84
6	6.44	2.38	8.00	8.81	4.81	5.19	2.19	1.84
8	7.44	2.38	8.00	9.81	5.38	5.94	2.44	2.34
10	8.16	2.72	8.00	10.56	6.88	7.50	3.13	3.00
12	8.16	2.72	8.00	10.56	6.88	7.50	3.13	3.00